

Drill Line Spoolers

Safety First

With your overall rig objectives in mind, Tulsa Power worked closely with drilling contractors to specifically design and manufacture Drill Line Spoolers that improve operator safety. Plus reduce cycle time of rig moves.

The spoolers eliminate commonly used non-powered, shafted reel stands. The Drill Line Reel is captured by the spooler, which removes the possibility of the reel coming off the stand. And the fail-safe braking system holds the reel in place during rig moves. Rotary line over-run and manual handling of the drill line and reel are minimized promoting safer and more efficient handling.

Tulsa Power Drill Line Spoolers are designed for your land or offshore use and are available for over 10,000 ft. of 2" drill line.

Features

- Powered Drill Line Spoolers offer increased safety by preventing over-run and taking up slack. No more manual operation of the heavy drill line reel.
- Controllable speed and torque offer increased safety and efficiency.
- Fail-safe brake system reduces material over-run and prevents reel from turning during moves.
- Removable shaft enables quick, easy reel change-out.
- Heavy duty, seal welded frame assures long life with frequent moves in the oil-field environment.
- Three part oilfield paint system offers long life and professional appearance.
- Drive components' personnel protection guarding improves safety.
- Pneumatic, hydraulic or electrically driven meets your rig's requirements.
- Controls and drive components protected against incidental damage during handling.
- Pad-eyes provided for handling the Drill Line Spooler.
- Some models include forklift pockets for easier, safer handling at your site or yard.
- Compact design requires minimal space at your site or on-board.
- May be designed for any working environment.
- No special tools required.

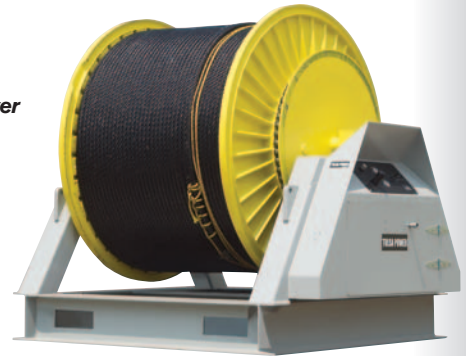


Tail-boardable land rig Tulsa Power Drill Line Spooler

Options

- Automatic level wind, on-board winch and operator control platform for complete string-up, string-down operations.
- Tail-boardable for faster rig moves.
- Spreader bar and lift slings for Spooler handling.
- Heavy duty reel specifically designed for storing drill line.
- Rewind service provided by Tulsa Power of your drill line onto the Drill Line Spooler.

Pneumatically Powered Tulsa Power Drill Line Spooler with fail-safe brake



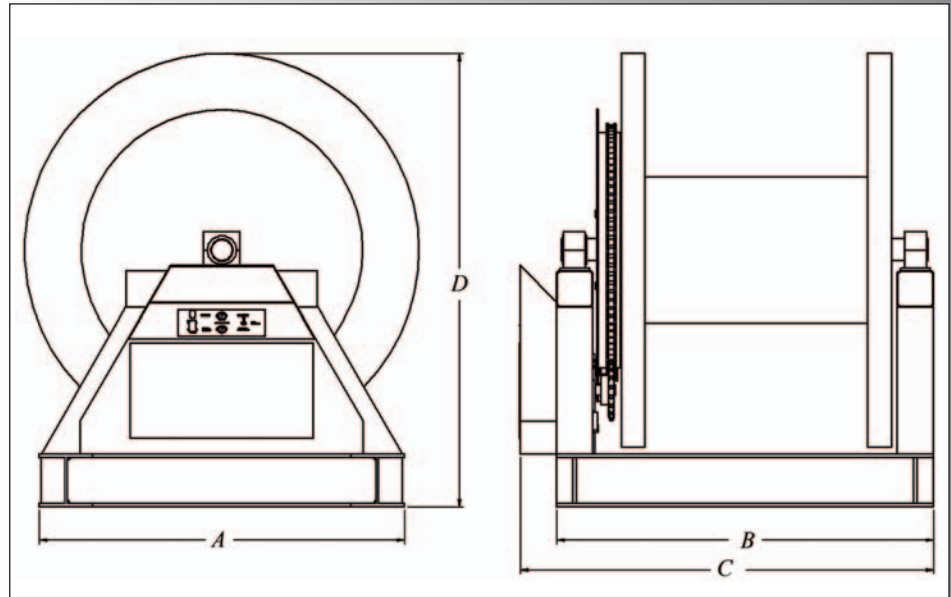
Complete land Tulsa Power Drill Line Spooler with operator platform, on-board winch and automatic level-wind

Tulsa Power's innovative Drill Line Spoolers offer onboard drill line level-wind, winch, and speed/torque control main drive system.

This package is designed to allow the drilling contractor to perform full string-up and string-down during rig moves. The unit takes-up the full string of rotary line while simultaneously moving the traveling block to its transport position, reducing the weight of the mast section for transport. The control platform allows the operator to control all string-up, string-down and cut and slip functions from a safe position. Its automatic level-wind safely guides the rotary line across the face of the spool. The tail-boardable frame offers you more efficient handling during moves.

Expertise

Tulsa Power has over 30 years of experience in designing and manufacturing wire, cable, and flexible material handling equipment. Oilfield products include drill line spoolers, wireline/ slickline units, umbilical reels, hose reels, raw water/deep well reels, truck and trailer mounted spoolers, ESP spoolers, coiled tubing spoolers, service loop spoolers, seismic cable spoolers and linear hauloffs/cable tensioners. Purpose-built equipment can be designed and built for almost any of your spooling applications.



UNITS	DRILL LINE		REEL CAPACITY				SPOOLER DIMENSIONS				WEIGHTS	
	IN	FT	IN	IN	IN	IN	IN	IN	IN	IN	LBS	LBS
MODEL	SIZE	LENGTH	MAX FLANGE DIA	MAX OUTSIDE WIDTH	MIN ARBOR HOLE	MIN DRIVE HOLE	A	B	C	D	APPROX EMPTY WEIGHT	APPROX LOADED WEIGHT
TUAF-20 DLS	1 1/8	5,000	80	55	4	2	62.5	80.75	90.75	87.5	4,000	28,000
TUAF-30 DLS	1 3/8	7,500	90	62	4	2	94	91.5	101.5	100	5,700	40,000
TUAF-45 DLS	1 3/4	7,500	100	70	5	2	97	101	111	118	7,000	56,000
TUAF-60 DLS	1 3/4	10,000	108	75	6	2	100	107	117	124	9,500	72,000
TUAF-80 DLS	2	10,000	120	80	7	3	110	118	128	140	11,000	95,000
TUAF-120 DLS	2	15,000	128	80	7	3	100	120	130	140.38	11,500	131,000

Dimensions and weights are approximate and subject to change

Reel in drawing is offered as optional

Forklift pockets are not standard on sizes above TUAF-45 DLS.

Other sizes available upon request.

Contact

Call Tulsa Power's Houston sales office
(281) 687-3693 or (800) 548-6227
or email sales@tulsapower.com.



T U L S A P O W E R

Innovative Flexible Material Spooling Solutions

913 N. Wheeling • Tulsa, OK 74110 U.S.A. • 800.548.6227
281.687.3693 • Fax: 918.584.3421 • tulsapowerog.com